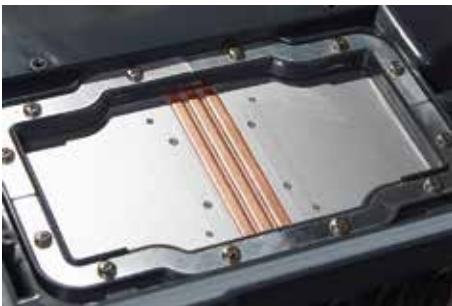


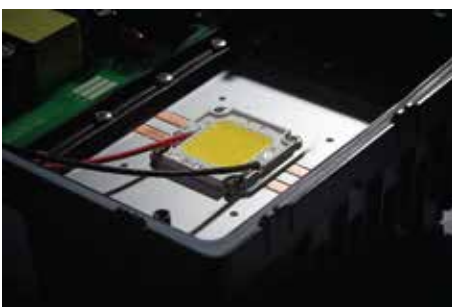
LED FLOOD LIGHT



ASA plastic housing
shock- and weather-proof, highly durable body



Enhanced cooling system
Copper heat pipes applied under the LED module channel heat to the heatsink fast



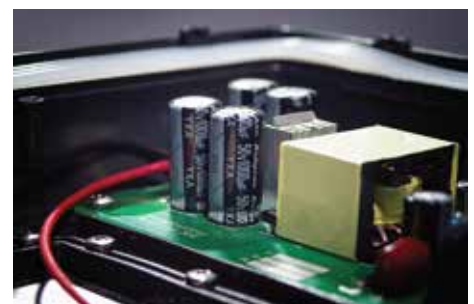
High efficiency LED
Bridgelux or Epistar COB LED module delivers over 80 Lumen/Watt



Efficient heatsink
Uses 6063 Aluminium alloy fins for maximum heat exchange. Total cooling area can exceed 6000 sqcm. Anodic oxidized surface treatment provides long lasting sheen



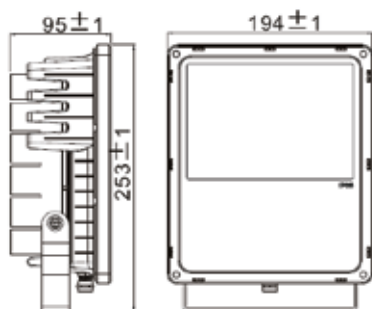
IP65 protection
High quality silicone rings ensure full outdoor suitability



Stable driver
General driver uses Rubycon capacitor, 100W+ models equipped with MeanWell as standard

LED FLOOD LIGHT LS FIN SERIES

10W - 50W



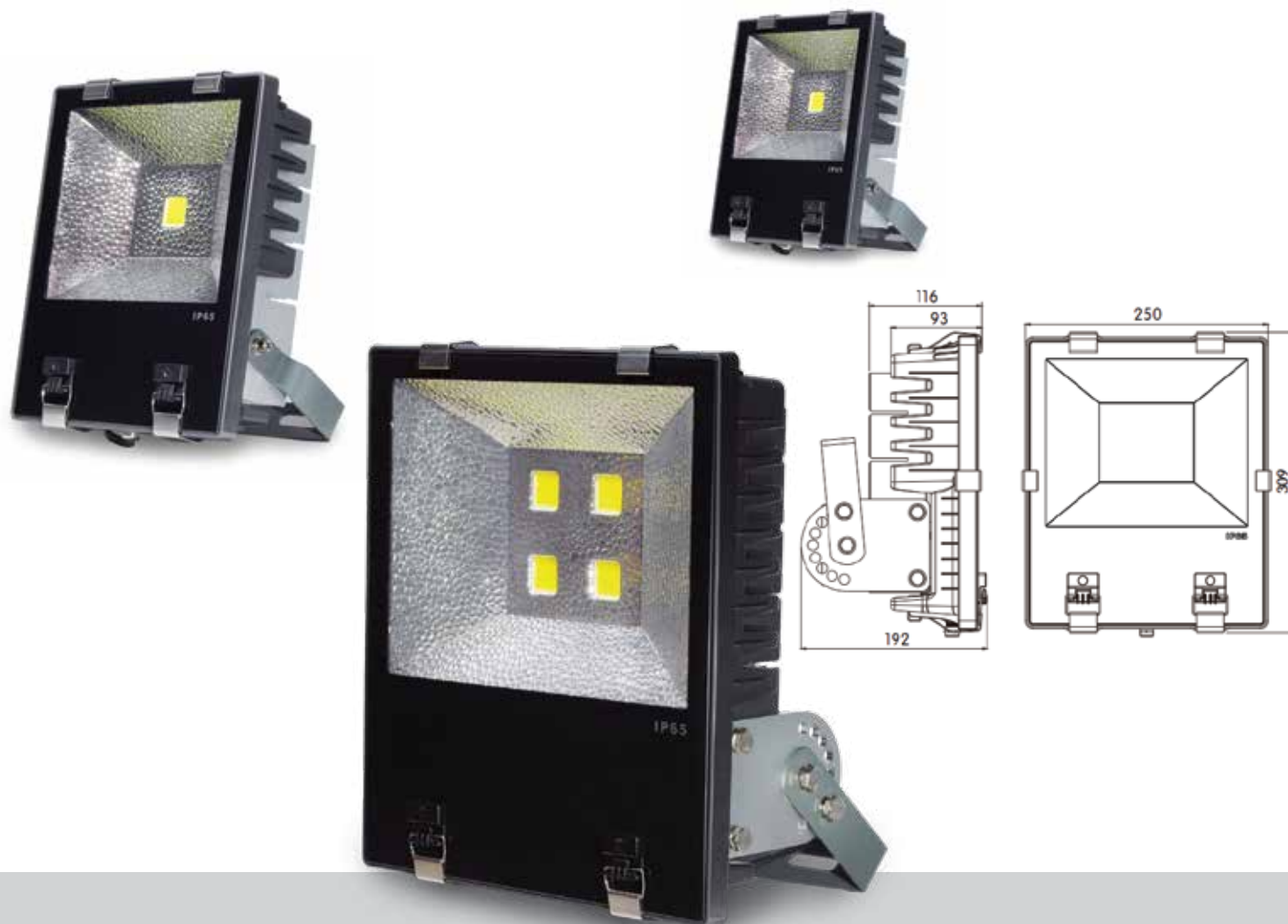
Optical		Electrical		Physical	
Light source	Epistar 45 mil COB LED*	Capacitor	Rubycon	Weight	0.77 -1.82kg
CRI	Ra ≥70	Total power	10W-50W	Housing	6063ALU+ASA PC
CCT	2700-3300K 4000-5000K 5500-6500K	Input voltage	AC100-265 V	IP rating	IP65
Beam Angle	120°	Power factor	>0.9	Certification	CE FC RoHS
		Efficiency	>90%	Warranty	3 years
		Op. Temp.	-40C~+70C		

MODEL	SIZE	WEIGHT	POWER	LUMEN
LS-FL-10	L179 x W133 x H57mm	0.77kg	10W	800-850 Lm
LS-FL-20	L201 x W166 x H77mm	1.05kg	20W	1600-1700 Lm
LS-FL-30	L253 x W178 x H81mm	1.36kg	30W	2400-2550 Lm
LS-FL-50	L253 x W194 x H85mm	1.82kg	50W	4000-4250 Lm

*upgradeable to Bridgelux LED - plus 5 Lumen/W

LED FLOOD LIGHT LS FIN SERIES

70W - 200W



Optical		Electrical		Physical	
Light source	Bridgelux 45 mil COB LED	Driver brand	MeanWell	Weight	3 - 8.2kg
CRI	Ra \geq 70	Total power	70W-200W	Housing	6063ALU+ASA PC
CCT	2700-3300K 4000-5000K 5500-6500K	Input voltage	AC100-265 V	IP rating	IP65
Beam Angle	120°	Power factor	>0.9	Certification	CE FC RoHS
		Efficiency	>90%	Warranty	3 years
		Op. Temp.	-40C~+70C		

MODEL	SIZE	WEIGHT	POWER	LUMEN
LS-FL-70	L291 x W250 x H116mm	3.07kg	70W	5950-6300 Lm
LS-FL-80	L291 x W250 x H116mm	3.65kg	80W	6800-7300 Lm
LS-FL-100	L341 x W250 x H116mm	5.32kg	100W	8500-9000 Lm
LS-FL-120	L366 x W310 x H121mm	8.13kg	120W	10200-10800 Lm
LS-FL-150	L366 x W310 x H121mm	8.19kg	150W	12700-13500 Lm
LS-FL-200	L400 x W340 x H121mm	9.20kg	200W	17000-18000 Lm